



Characteristics



- Self-supporting casing construction made of galvanized steel plate, finished in structural epoxy-polyester painting white colour RAL9016 as standard. Other colours or stainless steel are available on request.
- Front panel with option to customize and the possibility of including personalized logos, signs, graphic designs, images, etc.
- The inlet areas are located behind the front panel. They do not need maintenance.
- Anodized aluminium outlet vanes, airfoil shaped, adjustable from 0 to 15° each side.
- Double-inlet centrifugal fans driven by an external rotor motor and low noise level. 5-speed selector. "EC" models assembled with very low consumption efficiency fans.
- "P" type with water heated coil. "E" type with electrical shielded elements, three stages with integrated regulation. "A" type without heating, air only. Optional expansion DX coil.
- Includes Plug&Play control with 7m RJ45 cable and infrared remote control. Optional: Clever control (programmable, automatic, intelligent, energy saving, Modbus RTU for BMS...).

Specifications

AIR ONLY					
Model	Airflow m <sup>3</sup> /h	Power Fans 230V-50Hz kW	Current Fans 230V-50Hz A	Noise Level (5 m) dB(A)	Weight kg
DAM M 1000 A	1800	0,212	0,94	55	38
DAM M 1500 A	2700	0,318	1,41	56	56
DAM M 2000 A	3600	0,424	1,88	57	70
DAM M 2500 A	4500	0,530	2,35	58	76
DAM M 3000 A	5400	0,636	2,82	59	88
DAM ECM 1000 A	1840	0,132	1,14	56	38
DAM ECM 1500 A	2760	0,198	1,71	57	56
DAM ECM 2000 A	3680	0,264	2,28	58	70
DAM ECM 2500 A	4600	0,330	2,85	59	76
DAM ECM 3000 A	5520	0,396	3,42	60	88
DAM G 1000 A	2400	0,642	2,85	57	42
DAM G 1500 A	3200	0,856	3,80	58	61
DAM G 2000 A	4800	1,284	5,70	59	80
DAM G 2500 A	5600	1,498	6,65	60	86
DAM G 3000 A	6400	1,712	7,60	61	98
DAM ECG 1000 A	2700	0,225	1,95	61	42
DAM ECG 1500 A	3600	0,300	2,60	62	61
DAM ECG 2000 A	5400	0,450	3,90	63	80
DAM ECG 2500 A	6300	0,525	4,55	64	86
DAM ECG 3000 A	7200	0,600	5,20	65	98

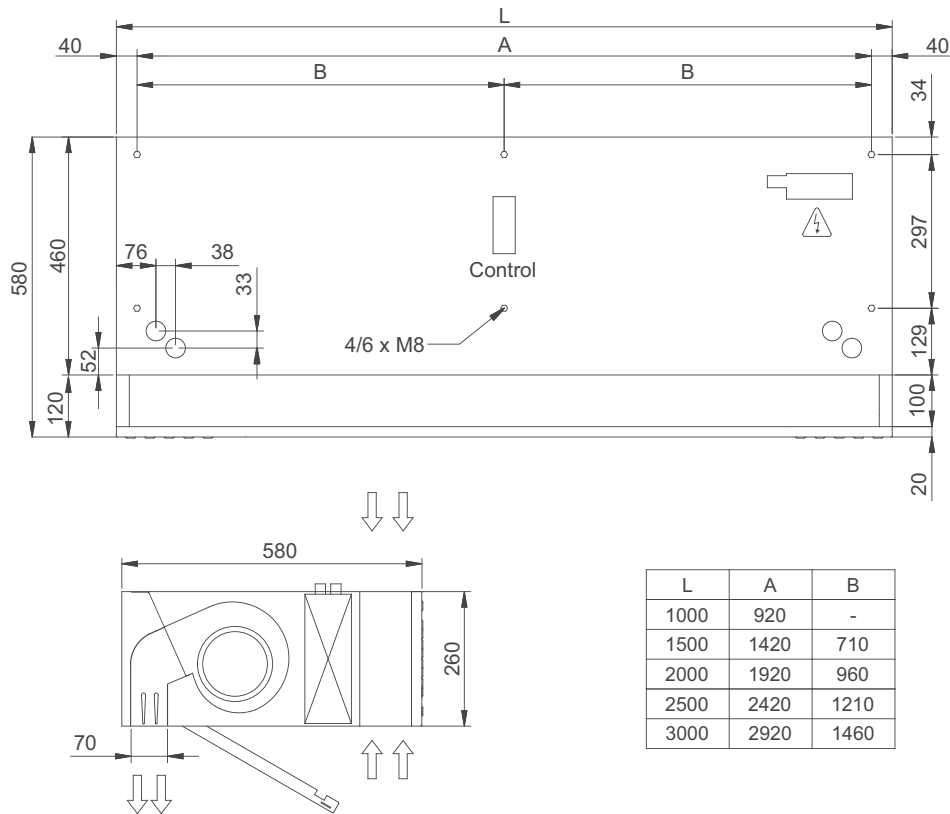
ELECTRICAL HEATED						
Model	Airflow m <sup>3</sup> /h	Electrical Heating Capacity 400Vx3-50Hz kW	Power Fans 230V-50Hz kW	Current Fans 230V-50Hz A	Noise Level (5 m) dB(A)	Weight kg
DAM M 1000 E	1800	3/6/9	0,212	0,94	55	45
DAM M 1500 E	2700	4/8/12	0,318	1,41	56	68
DAM M 2000 E	3600	6/12/18	0,424	1,88	57	88
DAM M 2500 E	4500	6/12/18	0,530	2,35	58	96
DAM M 3000 E	5400	8/16/24	0,636	2,82	59	111
DAM ECM 1000 E	1840	3/6/9	0,132	1,14	56	45
DAM ECM 1500 E	2760	4/8/12	0,198	1,71	57	68
DAM ECM 2000 E	3680	6/12/18	0,264	2,28	58	88
DAM ECM 2500 E	4600	6/12/18	0,330	2,85	59	96
DAM ECM 3000 E	5520	8/16/24	0,396	3,42	60	111
DAM G 1000 E	2400	5/10/15	0,642	2,85	57	50
DAM G 1500 E	3200	7,5/15/22,5	0,856	3,80	58	74
DAM G 2000 E	4800	10/20/30	1,284	5,70	59	98
DAM G 2500 E	5600	10/20/30	1,498	6,65	60	106
DAM G 3000 E	6400	10/20/30	1,712	7,60	61	121
DAM ECG 1000 E	2700	5/10/15	0,225	1,95	61	50
DAM ECG 1500 E	3600	7,5/15/22,5	0,300	2,60	62	74
DAM ECG 2000 E	5400	10/20/30	0,450	3,90	63	98
DAM ECG 2500 E	6300	10/20/30	0,525	4,55	64	106
DAM ECG 3000 E	7200	10/20/30	0,600	5,20	65	121

WATER HEATED											
Model	Airflow m <sup>3</sup> /h	P86		P64		P54		Power Fans 230V-50Hz kW	Current Fans 230V-50Hz A	Noise Level (5 m) dB(A)	Weight kg
		Heating Capacity 80/60°C kW	Water Drop Pressure 80/60°C Pa	Heating Capacity 60/40°C kW	Water Drop Pressure 60/40°C Pa	Heating Capacity 50/40°C kW	Water Drop Pressure 50/40°C Pa				
DAM M 1000 P	1660	9,17	880	8,56	4370	8,52	1220	0,428	1,90	56	43
DAM M 1500 P	2490	14,26	760	13,69	6460	14,34	4480	0,642	2,85	57	64
DAM M 2000 P	3320	20,65	1930	18,26	4790	18,65	2060	0,856	3,80	58	81
DAM M 2500 P	4150	26,92	3810	22,12	3850	24,32	4040	1,070	4,75	59	89
DAM M 3000 P	4980	33,24	6590	28,37	6760	29,77	5660	1,280	5,70	60	103
DAM ECM 1000 P	1720	9,38	920	8,77	4560	8,74	1280	0,132	1,14	56	43
DAM ECM 1500 P	2580	14,58	790	14,02	6730	14,71	4690	0,198	1,71	57	64
DAM ECM 2000 P	3440	21,12	2010	18,70	4990	19,13	2150	0,264	2,28	58	81
DAM ECM 2500 P	4300	27,53	3960	23,33	4010	24,95	4230	0,330	2,85	59	89
DAM ECM 3000 P	5160	40,00	6860	29,05	7050	30,54	5920	0,396	3,42	60	103
DAM G 1000 P	2250	11,04	1230	10,42	6190	10,56	1790	0,642	2,85	57	48
DAM G 1500 P	3000	16,02	940	15,47	8020	16,37	5670	0,856	3,80	58	70
DAM G 2000 P	4500	24,92	2700	22,29	6810	23,15	3030	1,284	5,70	59	91
DAM G 2500 P	5250	31,16	4930	26,61	5060	28,76	5450	1,498	6,65	60	97
DAM G 3000 P	6000	37,35	8110	32,10	8410	34,03	7180	1,712	7,60	61	111
DAM ECG 1000 P	2550	11,89	1400	11,27	7110	11,50	2090	0,225	1,95	61	48
DAM ECG 1500 P	3400	17,29	1070	16,77	9240	17,86	6620	0,300	2,60	62	70
DAM ECG 2000 P	5100	26,86	3080	24,14	7850	25,24	3530	0,450	3,90	63	91
DAM ECG 2500 P	5950	33,63	5650	28,84	5840	31,38	6360	0,525	4,55	64	97
DAM ECG 3000 P	6800	40,34	9290	34,81	9710	37,16	8400	0,600	5,20	65	111

Water heated: connection pipes P86 and P64 are 2x3/4" female (male if lateral pipes), P54 2x1" male. P86 2 rows coil, P64 3 rows coil, P54 4 rows coil.



**Dimensions**



**Dam Twin System**

The DAM TWIN system consists on two vertical DAM air curtains face to face, one with the air jet ahead and the other behind.

At the end of each jet there is the inlet of the other air curtain helping to close the air barrier.

This double jet works as a closed circuit creating a separation zone at the door entrance.

DAM TWIN system is an optimal solution for installations with very adverse conditions.

