



Characteristics



- Self-supporting casing construction made of galvanized steel plate, finished in structural epoxy-polyester painting white colour RAL9016 as standard. Other colours or stainless steel are available on request.
- Two frontal grille options. Industrial perforated by default.
- Anodized aluminium outlet vanes, airfoil shaped, adjustable from 0 to 15° each side.
- Double-inlet centrifugal fans driven by an external rotor motor and low noise level. 5-speed selector.
- “P” type with water heated coil. “E” type with electrical shielded elements, three stages with integrated regulation. “A” type without heating, air only. Optional expansion DX coil.
- Includes Plug&Play control with 10m RJ45 cable and infrared remote control. Optional: Clever control (programmable, automatic, intelligent, energy saving, Modbus RTU for BMS...).

Specifications

AIR ONLY

Model	Airflow m³/h	Fans Power 230V-50Hz kW	Fans Current 230V-50Hz A	Noise Level (5 m) dB(A)	Weight kg
L 1000 A	4000	1,04	4,40	63	72
L 1500 A	6000	1,56	6,60	64	108
L 2000 A	8000	2,08	8,80	65	145
L 2500 A	10000	2,60	11,00	66	177
L 3000 A	12000	3,12	13,20	67	213
XL 1000 A	5300	1,40	6,00	65	78
XL 1500 A	7950	2,10	9,00	66	117
XL 2000 A	10600	2,80	12,00	67	157
XL 2500 A	13250	3,50	15,00	68	192
XL 3000 A	15900	4,20	18,00	69	211

ELECTRICAL HEATED

Model	Airflow m³/h	Electrical Heating Capacity 400Vx3-50Hz kW	Fans Power 230V-50Hz kW	Fans Current 230V-50Hz A	Noise Level (5 m) dB(A)	Weight kg
L 1000 E	4000	10/15/25	1,04	4,40	63	90
L 1500 E	6000	15/22,5/37,5	1,56	6,60	64	135
L 2000 E	8000	20/30/50	2,08	8,80	65	180
L 2500 E	10000	20/40/60	2,60	11,00	66	225
L 3000 E	12000	20/40/60	3,12	13,20	67	270
XL 1000 E	5300	10/15/25	1,40	6,00	65	95
XL 1000 E-35	5300	10/25/35	1,40	6,00	65	96
XL 1500 E	7950	15/22,5/37,5	2,10	9,00	66	144
XL 1500 E-52	7950	15/37,5/52,5	2,10	9,00	66	150
XL 2000 E	10600	20/30/50	2,80	12,00	67	192
XL 2000 E-70	10600	20/50/70	2,80	12,00	67	200
XL 2500 E	13250	20/40/60	3,50	15,00	68	240
XL 2500 E-70	13250	20/50/70	3,50	15,00	68	250
XL 3000 E	15900	20/40/60	4,20	18,00	69	288
XL 3000 E-80	15900	30/50/80	4,20	18,00	69	300

WATER HEATED

Model	Airflow m³/h	P86		P64		P54		Fans Power 230V-50Hz kW	Fans Current 230V-50Hz A	Noise Level (5 m) dB(A)	Weight kg
		Heating Capacity 80/60°C kW	Water Drop Pressure 80/60°C Pa	Heating Capacity 60/40°C kW	Water Drop Pressure 60/40°C Pa	Heating Capacity 50/40°C kW	Water Drop Pressure 50/40°C Pa				
L 1000 P	3800	19,68	1730	16,18	2570	17,18	1560	1,04	4,40	62	89
L 1500 P	5700	29,64	950	25,92	3210	29,04	5710	1,56	6,60	63	128
L 2000 P	7600	43,01	2390	35,58	3680	38,93	4330	2,08	8,80	64	171
L 2500 P	9500	56,01	4670	45,55	4750	49,36	4990	2,60	11,00	65	214
L 3000 P	11400	69,27	8090	56,78	8350	59,96	5770	3,12	13,20	66	260
XL 1000 P	4900	22,68	2250	18,98	3410	20,43	2120	1,40	6,00	64	94
XL 1500 P	7350	34,52	1240	30,45	4270	34,55	7780	2,10	9,00	65	137
XL 2000 P	9800	50,10	3140	41,83	4910	46,36	5910	2,80	12,00	66	183
XL 2500 P	12250	65,29	6130	53,56	6330	58,81	6810	3,50	15,00	67	227
XL 3000 P	14700	80,79	10640	66,78	11140	71,47	7890	4,20	18,00	68	278

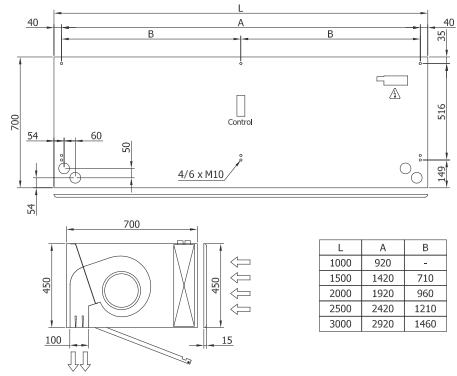
Water heated: P86 2 rows coil, P64 3 rows coil, P54 4 rows coil.

2x1" for 1000 and 1500, 2x1½" for 2000 and 2500, 2x1½" for 3000.

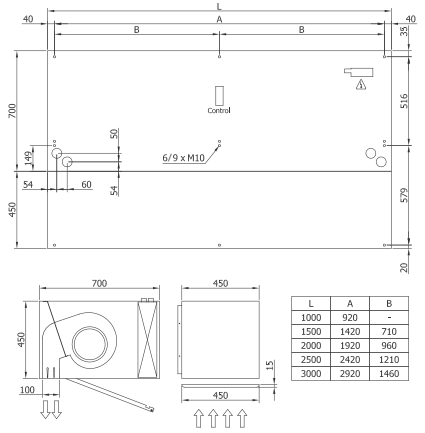
Connection pipes P86, P64 and P54 are female (male if lateral pipes).



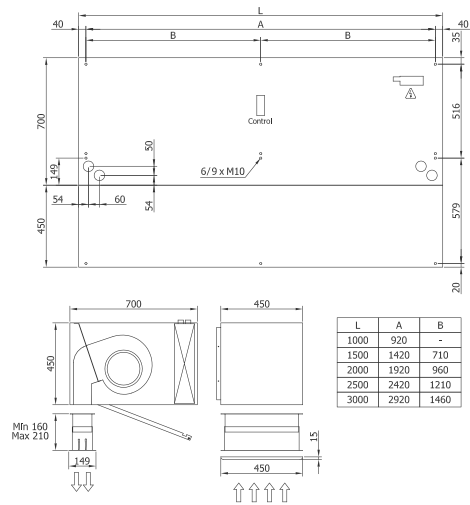
Layouts and dimensions



Free hanging mounting



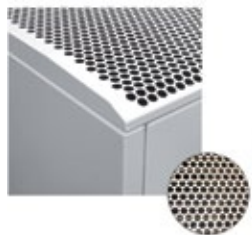
Inside ceiling surface mounting



False ceiling invisible mounting

Grille Finishes

Industrial



Decorative

