



Characteristics



- Specially designed to be installed in all type of revolving doors. Two possible layouts, tailored dimensions.
- Self-supporting casing construction made of galvanized steel plate, finished in structural epoxy-polyester painting white colour RAL9016 as standard. Other colours or stainless steel are available on request.
- Large perforated inlet grille avoiding intensive maintenance.
- Circular anodized aluminium outlet vanes, airfoil shaped.
- Double-inlet centrifugal fans driven by an external rotor motor and low noise level. 5-speed selector. "EC" models assembled with very low consumption efficiency fans.
- "P" type with water heated coil. "E" type with electrical shielded elements, three stages with integrated regulation. "A" type without heating, air only. Optional expansion DX coil.
- Includes Plug&Play control with 7m RJ45 cable and infrared remote control. Optional: Clever control (programmable, automatic, intelligent, energy saving, Modbus RTU for BMS...).

Specifications

AIR ONLY					
Model	Airflow m³/h	Power Fans 230V-50Hz kW	Current Fans 230V-50Hz A	Noise Level (5 m) dB(A)	Weight kg
ROTO M 1000 A	1980	0,318	1,41	55	-
ROTO M 1500 A	2640	0,424	1,88	56	-
ROTO M 2000 A	3960	0,636	2,82	57	-
ROTO M 2500 A	4620	0,742	3,29	58	-
ROTO G 1000 A	2400	0,642	2,85	57	-
ROTO G 1500 A	3200	0,856	3,80	58	-
ROTO G 2000 A	4800	1,284	5,70	59	-
ROTO G 2500 A	5600	1,498	6,65	60	-
ROTO ECG 1000 A	2700	0,225	1,95	61	-
ROTO ECG 1500 A	3600	0,300	2,60	62	-
ROTO ECG 2000 A	5400	0,450	3,90	63	-
ROTO ECG 2500 A	6300	0,525	4,55	64	-

ELECTRICAL HEATED						
Model	Airflow m³/h	Electrical Heating Capacity 400Vx3-50Hz kW	Power Fans 230V-50Hz kW	Current Fans 230V-50Hz A	Noise Level (5 m) dB(A)	Weight kg
ROTO M 1000 E	1980	3/6/9	0,318	1,41	55	-
ROTO M 1500 E	2640	4/8/12	0,424	1,88	56	-
ROTO M 2000 E	3960	6/12/18	0,636	2,82	57	-
ROTO M 2500 E	4620	6/12/18	0,742	3,29	58	-
ROTO G 1000 E	2400	5/10/15	0,642	2,85	57	-
ROTO G 1500 E	3200	7,5/15/22,5	0,856	3,80	58	-
ROTO G 2000 E	4800	10/20/30	1,284	5,70	59	-
ROTO G 2500 E	5600	10/20/30	1,498	6,65	60	-
ROTO ECG 1000 E	2700	5/10/15	0,225	1,95	61	-
ROTO ECG 1500 E	3600	7,5/15/22,5	0,300	2,60	62	-
ROTO ECG 2000 E	5400	10/20/30	0,450	3,90	63	-
ROTO ECG 2500 E	6300	10/20/30	0,525	4,55	64	-

WATER HEATED											
Model	Airflow m³/h	P86		P64		P54		Power Fans 230V-50Hz kW	Current Fans 230V-50Hz A	Noise Level (5 m) dB(A)	Weight kg
		Heating Capacity 80/60°C kW	Water Drop Pressure 80/60°C Pa	Heating Capacity 60/40°C kW	Water Drop Pressure 60/40°C Pa	Heating Capacity 50/40°C kW	Water Drop Pressure 50/40°C Pa				
ROTO M 1000 P	1860	9,84	1000	9,22	4990	-	-	0,318	1,41	55	-
ROTO M 1500 P	2480	14,23	760	13,65	6430	-	-	0,424	1,88	56	-
ROTO M 2000 P	3720	22,17	2190	19,70	5470	-	-	0,636	2,82	57	-
ROTO M 2500 P	4340	27,69	4000	23,48	4060	-	-	0,742	3,29	58	-
ROTO G 1000 P	2250	11,04	1230	10,42	6190	10,56	1790	0,642	2,85	57	-
ROTO G 1500 P	3000	16,02	940	15,47	8020	16,37	5670	0,856	3,80	58	-
ROTO G 2000 P	4500	24,92	2700	22,29	6810	23,15	3030	1,284	5,70	59	-
ROTO G 2500 P	5250	31,16	4930	26,61	5060	28,76	5450	1,498	6,65	60	-
ROTO ECG 1000 P	2550	11,89	1400	11,27	7110	11,50	2090	0,225	1,95	61	-
ROTO ECG 1500 P	3400	17,29	1070	16,77	9240	17,86	6620	0,300	2,60	62	-
ROTO ECG 2000 P	5100	26,86	3080	24,14	7850	25,24	3530	0,450	3,90	63	-
ROTO ECG 2500 P	5950	33,63	5650	28,84	5840	31,38	6360	0,525	4,55	64	-

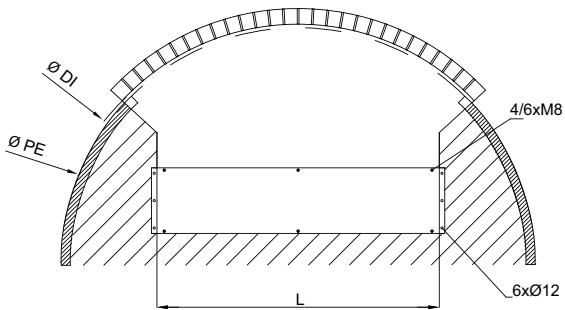
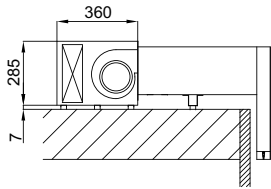
Water heated: connection pipes P86 and P64 are 2x3/4" female (male if lateral pipes), P54 2x1" male. P86 2 rows coil, P64 3 rows coil, P54 4 rows coil.



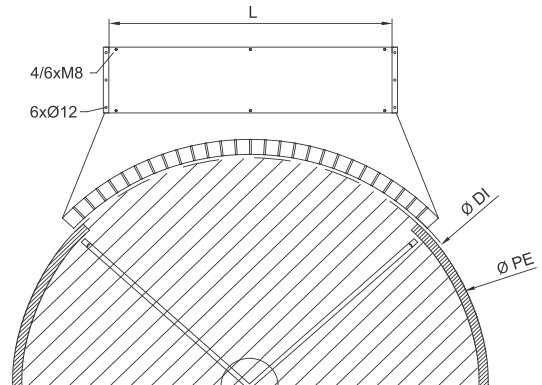
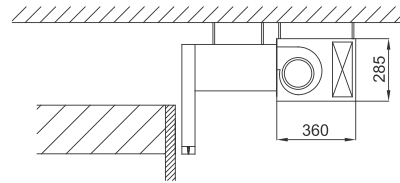
Layouts and dimensions

RotoWind air curtains are tailor-made for any kind of revolving door according to the following layouts:

On top mounting



False ceiling mounting



Fixation system



Fixed onto the door



Hanging from the ceiling

Optional decorative front cover



1. RAL 9016 standard
2. Colour from RAL palette
3. Stainless Steel AISI 304